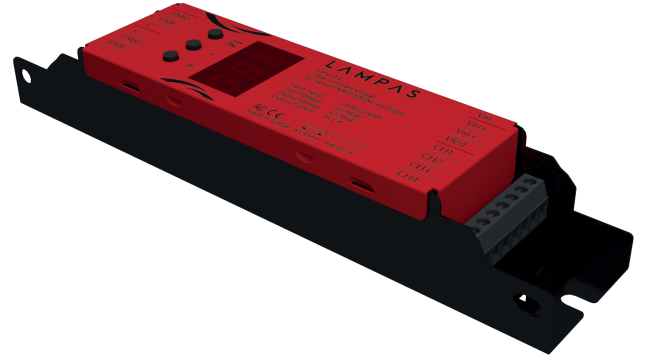


DMX CV4S



“DMX CV 4s” is a constant voltage DMX512 decoder with 4 channel output, achieving address setting via RDM protocol. With 12V-24V input voltage range, DMX CV is a perfect candidate for driving single color, bi-color, RGB and RGBW LED luminaires. Its slim type design also allows “DMX CV 4s” to be used in the luminaire housing.

made in Türkiye

General Specifications

slim type design

The usage of the “DMX CV 4s” in the housing of the luminaires are achieved by its slim type mechanical case. With the slim body, the mounting and cabling also becomes easier even if the decoder is mounted outside luminaire.

addressable via RDM protocol

“DMX CV 4s” supports remote device management (RDM) protocol. This feature enables user to set/read the address of “DMX CV 4s” using an RDM controller, without reaching the device, using DMX cable connected to DMX input of the decoder.

DMX master and stand alone modes

“DMX CV 4s” can be used as a DMX master controller. The mode selection, scenerio selection and scenerio speed are configured by user via buttons and display on the device. In master mode, the decoder also drives the LEDs connected to its output according to its DMX address.

wide input voltage range

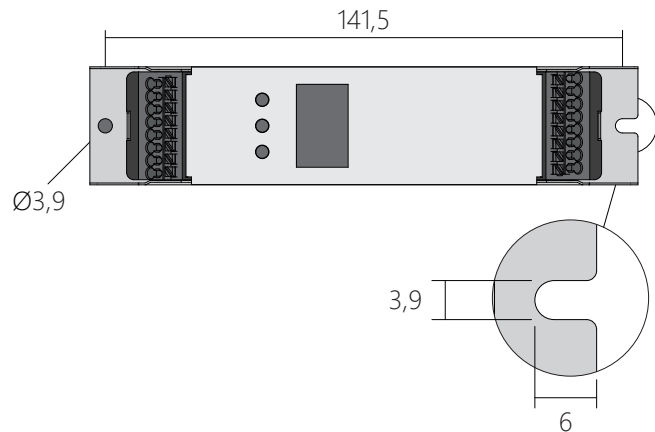
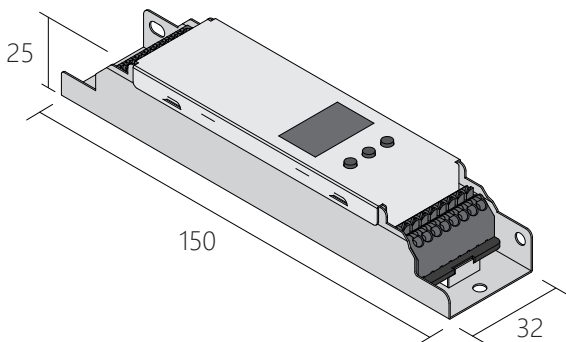
“DMX CV 4s” has 12V-24V wide input voltage range. This feature makes DMX CV a proper solution to drive many types LED luminaires in the market.

embedded gamma correction

“DMX CV 4s” applies gamma correction to the DMX data and drives the LEDs according to gamma corrected color levels. This unique feature makes the decoders suitable for facade lighting applications. The gamma correction value can be set by user via buttons and display on the device.

digital numeric display & user buttons

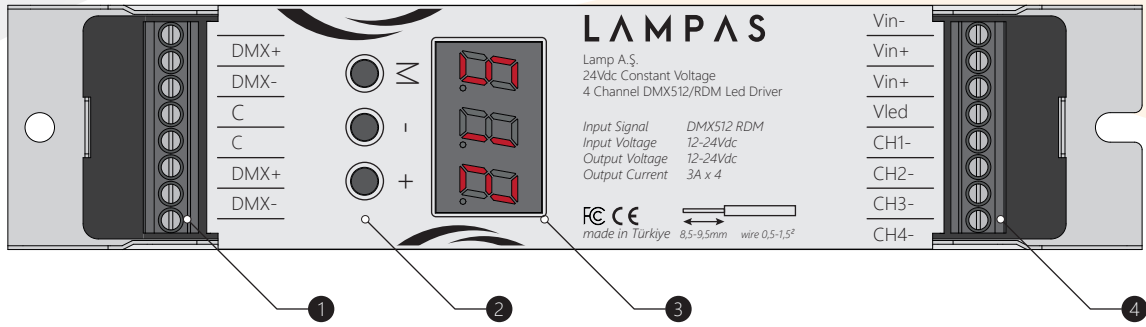
DMX Address, device operation mode, scenerio type, scenerio speed, gamma correction values can be set easily via user buttons and display located on top of the decoder.



*All dimensions are in millimeter

Technical Specifications

Input Voltage	12-24 VDC
Output Chanel num	4 Ch
Output Current	4×3A
Dimensions	150X25X32mm
Weight	150g
Operating Temp.	-10°C ~ 50°C
Storage Temp.	-20°C ~ 80°C
Case	Coated Metal Sheet
IP Rating	IP20



- ① Input Connector
- ② Configuration Buttons
- ③ Display
- ④ Output Connector

RoHS
Compliant

